

IDEAL SPRINT RS 75

Wall Mounted Balanced Flue Combination Boiler User's Instructions

CAUTION:

To avoid the possibility of injury during the use or cleaning of this appliance care should be taken when handling the edges of sheet steel components


G.C. Appliance No.

Ideal SPRINT RS. 75

47 415 01

***i* Ideal** BOILERS

The Gas Safety Installation and Use Regulations: 1984 impose certain statutory obligations on gas users. Further information may be obtained on application to the Gas Region.

It is the law that all gas appliances are installed by competent persons, e.g. CORGI (identified by ) in accordance with the above regulations.

Failure to install appliances correctly could lead to prosecution.


It is in your own interest, and that of safety, to ensure that the law is complied with.

ELECTRICAL SUPPLY

If a mains plug connection is used, it **MUST** be a 3-pin type, wired as shown in Fig. 1, and fused at 3 amp.

The appliance **MUST be efficiently earthed.**

As the colour of the wires in the mains lead of this appliance may not correspond with the coloured markings identifying the terminals in your plug, proceed as follows:

The wire which is coloured **GREEN AND YELLOW** must be connected to the terminal in the plug which is marked with the letter **E** or by the earth symbol  or coloured **GREEN** or **GREEN AND YELLOW**.

The wire which is coloured **BLUE** must be connected to the terminal which is marked with the letter **N** or coloured **BLACK**.

The wire which is coloured **BROWN** must be connected to the terminal which is marked with the letter **L** or coloured **RED**.

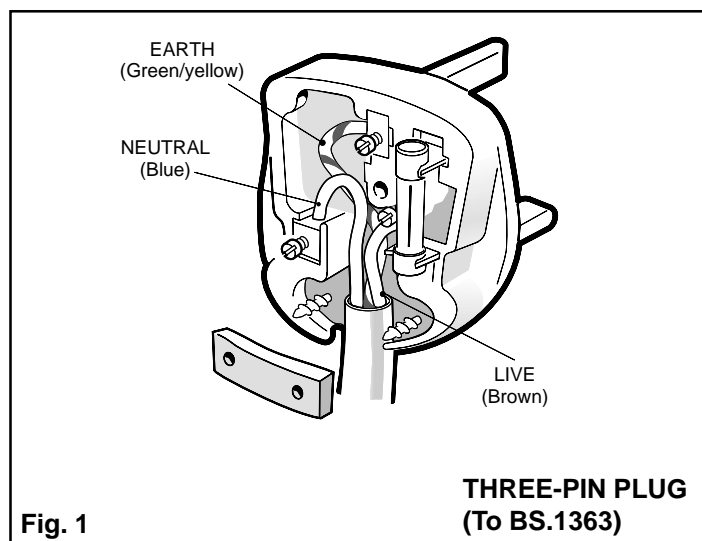


Fig. 1

MINIMUM INSTALLATION AND SERVICING SIZES

Boiler size:

width	465mm	(18 1/2in)
depth	300mm	(12in)
height	900mm	(36in)

The minimum clearances must be as follows:

Above the boiler	50mm	(2in)
At each side of the boiler	10mm	(1/2in)
Underneath the boiler	100mm	(4in)
In front of the boiler	450mm	(18in)

If the boiler is installed in a compartment it **MUST NOT** be used for storage purposes.

The ventilation provided for the appliance during installation **MUST NOT** be blocked and a check should be made periodically that the ventilation areas are free from any obstruction.

If it is known or suspected that a fault exists on the appliance it **MUST NOT** be used until the fault has been corrected by a competent person.

It is essential that the instructions in this booklet are strictly followed for safe and economical operation of the boiler.

The **IDEAL SPRINT RS.75** is a combination boiler providing both central heating and instantaneous domestic hot water. The two selector switches (**G**) and (**J**) permit the choice of hot water only or central heating and hot water.

The dial on the control panel indicates the approximate system temperature (upper scale) and the system pressure (lower scale).

Note: If the normal **COLD** pressure of the system - indicated by the red arrow on the dial - is seen to decrease over a period of time then a water leak is indicated. In this event your local Heating Installer should be consulted.

TO LIGHT THE BOILER

1. Check that the electricity supply to the boiler is **OFF**.
2. Lift off the controls compartment front cover.
3. Ensure the boiler **HEATING** switch (**G**) and **WATER** switch (**J**) are in the **OFF** position.
4. Turn the gas control knob (**F**) **CLOCKWISE** until resistance is felt and then release it.

WAIT for three minutes.

5. Push in the gas control knob (**F**) and hold it depressed. Push in and release the ignition button (**D**) repeatedly until the pilot flame can be seen through the sight glass (**A**).

When the pilot has lit, continue to press in the gas control knob for a further fifteen seconds.

6. Should the pilot go out at this, or any other stage, turn the gas control knob (**F**) **CLOCKWISE** and release it.

WAIT for three minutes and then repeat '5' but WAIT FOR LONGER THAN FIFTEEN SECONDS before releasing the gas control knob.

7. Switch **ON** the electricity supply to the boiler and check all external controls, e.g. room thermostat, etc., are **ON**. The Mains On neon will glow.
8. Set the **HEATING** and **WATER** switches to the desired positions:

(a) HEATING and HOT WATER MODE

When central heating and domestic hot water are required, both switches should be set to **ON**.

The **HEATING** and **WATER** indicator neons (**H**) and (**I**) respectively, will both glow.

The boiler will supply the central heating but will give priority to the domestic hot water when required.

or (b) HOT WATER MODE.

When domestic hot water only is required the **WATER** switch should be set to **ON** and the **HEATING** switch set to **OFF**.

The **WATER** indicator neon (**I**) will glow and the boiler will only fire when domestic hot water is drawn off.

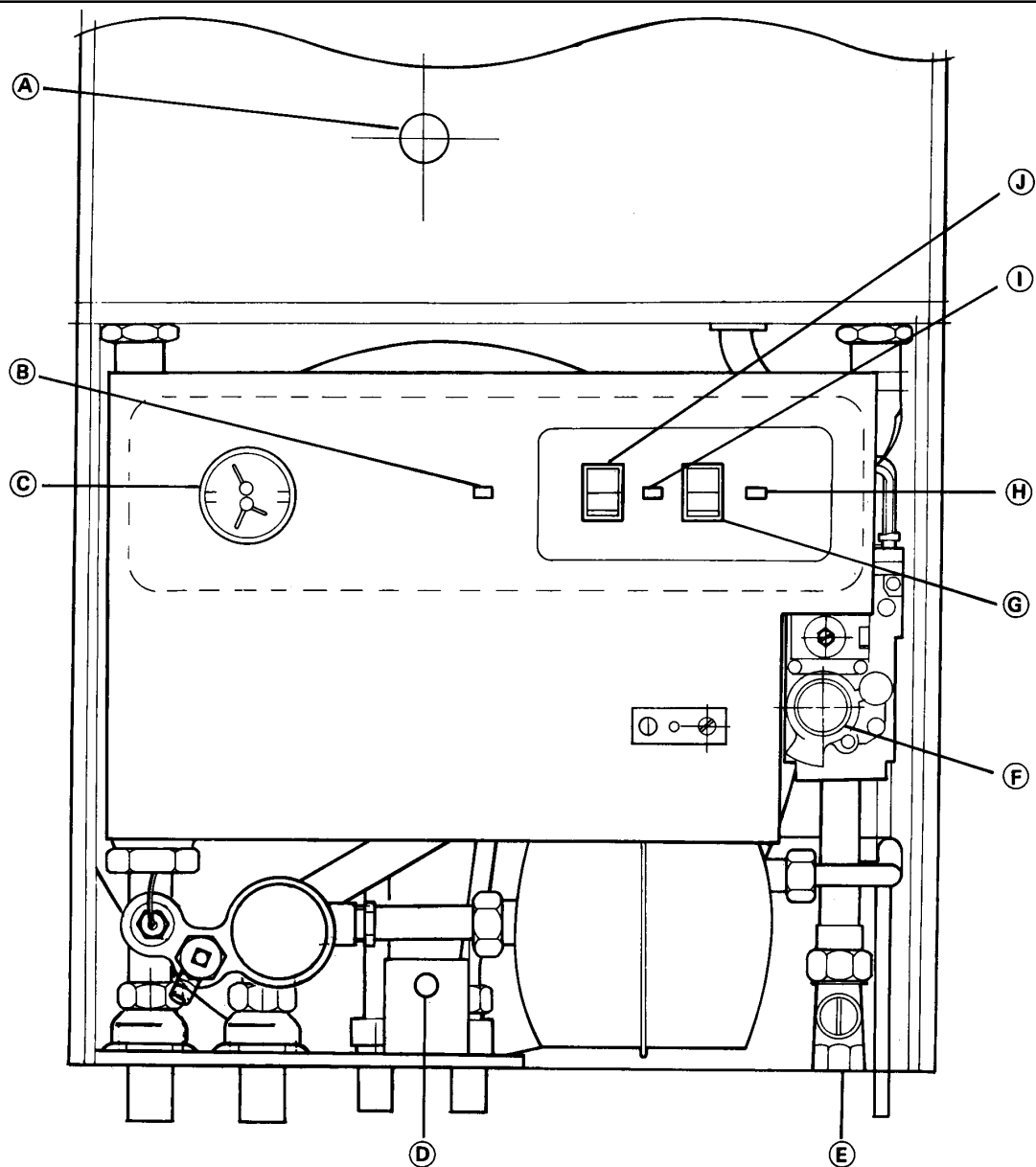
9. Replace the controls compartment front cover.

TO SHUT DOWN THE BOILER

1. For short periods:

Set the boiler **HEATING** switch (**G**) and **WATER** switch (**J**) to **OFF**.

When heating is again required - restore the switches to their original settings.



LEGEND

- A. Sight glass
- B. MAINS ON indicator neon
- C. Pressure/temperature gauge
- D. Piezo unit ignition button
- E. Gas service cock
- F. Gas valve control knob
- G. HEATING switch
- H. HEATING indicator neon
- I. WATER indicator neon
- J. WATER switch

Fig. 2

BOILER CONTROLS

2. For longer periods:

Set the boiler HEATING switch (G) and WATER switch (J) to OFF.

Turn the gas control knob (F) CLOCKWISE until resistance is felt, and then release it in order to extinguish the pilot burner.

Switch the electricity supply to OFF.

WARNING.

If no frost protection is provided and frost is likely during a

short absence from home, leave the heating controls (if fitted) at a reduced temperature setting.

For longer periods the entire system should be drained, including the domestic water supply.

If the system includes a frost thermostat then, during cold weather, the boiler should be turned OFF at the time switch (if fitted) only.

The mains supply should be left switched ON with the boiler HEATING and WATER switches remaining in the OFF positions.

BOILER OVERHEAT THERMOSTATS

The boiler is fitted with two safety "cutout" thermostats which may shut the boiler down in the event of overheating.

If thermostat No. 1 operates, the pilot will be extinguished.

If thermostat No. 2 operates, the main burner will not fire but the pilot will remain alight.

Should this occur then turn off the boiler and consult your local Heating Installer.

CONTROL OF WATER TEMPERATURE

1. Central Heating

The boiler control thermostat automatically switches the main burner OFF and ON to maintain the pre-set temperature, and no adjustment is necessary.

2. Domestic Hot Water

The domestic hot water draw-off temperature can be controlled by adjusting the flow rate at the tap - the lower the draw-off rate, the higher the temperature and vice-versa.

The maximum draw-off temperature is limited by the modulating gas control which reduces the main burner flame at low draw-off rates.

3. The pilot burner remains alight continuously to give re-ignition of the main burner.

TO RELIGHT THE BOILER

Repeat the procedure 1-9 detailed in "to Light the Boiler".

ESCAPE OF GAS

Should a gas leak be suspected, contact your Local Gas Region without delay.

Do NOT search for gas leaks with a naked flame.

CLEANING

For normal cleaning simply dust with a dry cloth. To remove stubborn marks and stains, wipe with a damp cloth and finish off with a dry cloth.

Do NOT use abrasive cleaning materials.

MAINTENANCE

The appliance should be SERVICED AT LEAST ONCE A YEAR by a qualified Heating Engineer or your local Gas Region.

Ideal Boilers, P.O. Box 103, National Ave, Kingston upon Hull, HU5 4JN. Telephone: 01482 492 251 Fax: 01482 448 858. Registration No. London 322 137.

Caradon Ideal Limited pursues a policy of continuing improvement in the design and performance of its products. The right is therefore reserved to vary specification without notice.

i Ideal BOILERS

November 2002

UIN 116 011

Caradon
Ideal Limited

Ideal Installer/Technical Helpline: 01482 498663

www.idealboilers.com